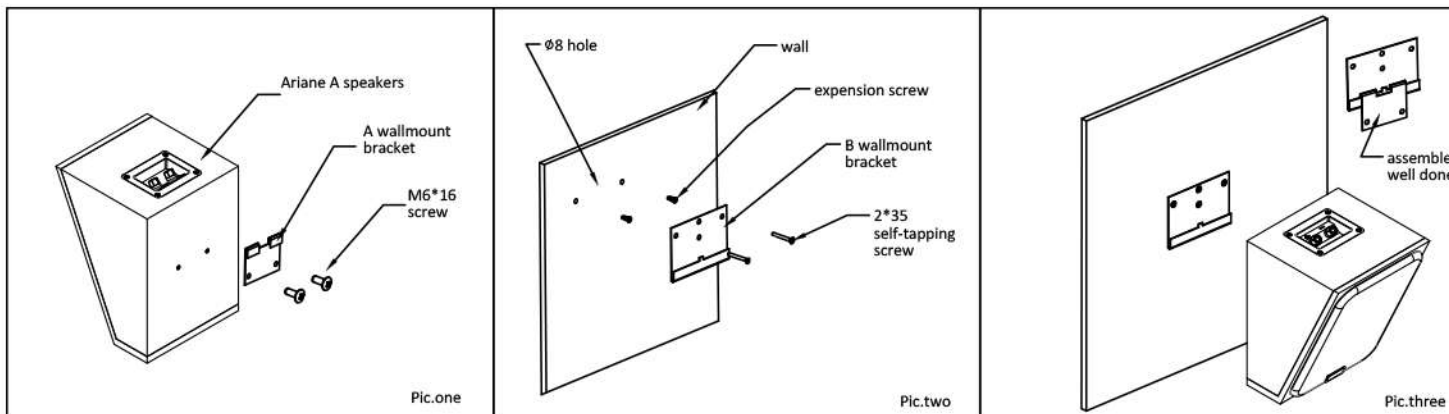


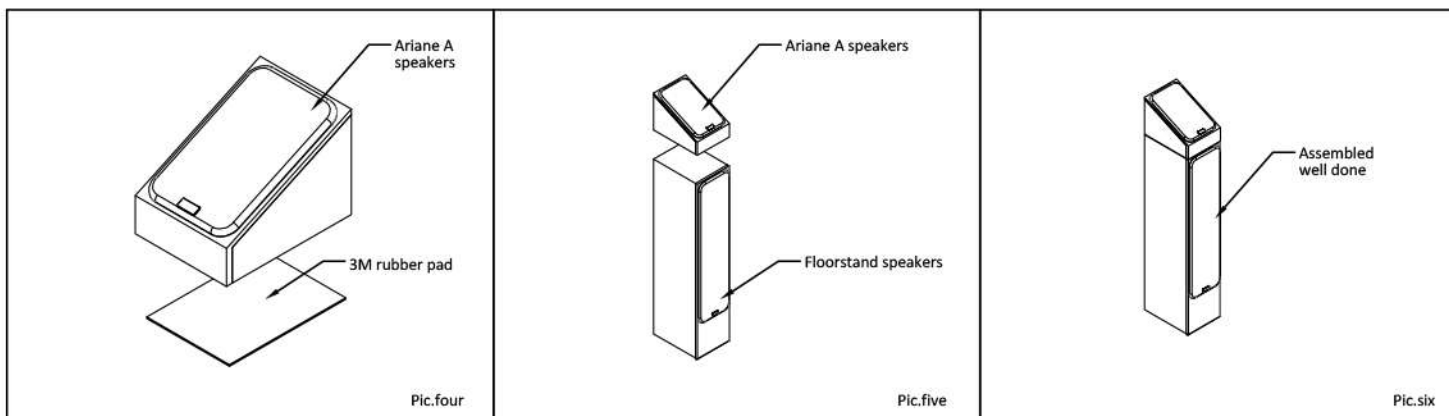
Ariane A speakers wall installation steps



Description:

- 1) Place the A wallmount bracket at the back of the speakers and align the two holes, tighten the A wallmount bracket to the speaker with M6 screws. (Pic. one)
- 2) Drill two $\varnothing 8$ holes on the wall, punch the expansion screw into the two $\varnothing 8$ holes, align the B wallmount bracket hole with the expansion screw hole on the wall, tighten the B wallmount bracket to the wall with 2*35 self-tapping screws. (Pic. two)
- 3) Place the speakers assembled well with A wallmount bracket, hang it on B wallmount bracket on the wall. (Pic. three)

Ariane A speakers lay flat installation steps



Description:

- 1) Tear the protective film from the back of 3M rubber pad, align and attach it to the bottom of Ariane A speakers. (Pic. four)
- 2) Place the Ariane A speakers on the top of the floorstand speakers, or other place, the 3M rubber pad protect surface and avoid slip. (Pic. five)
- 3) Assembled well done. (Pic. six)