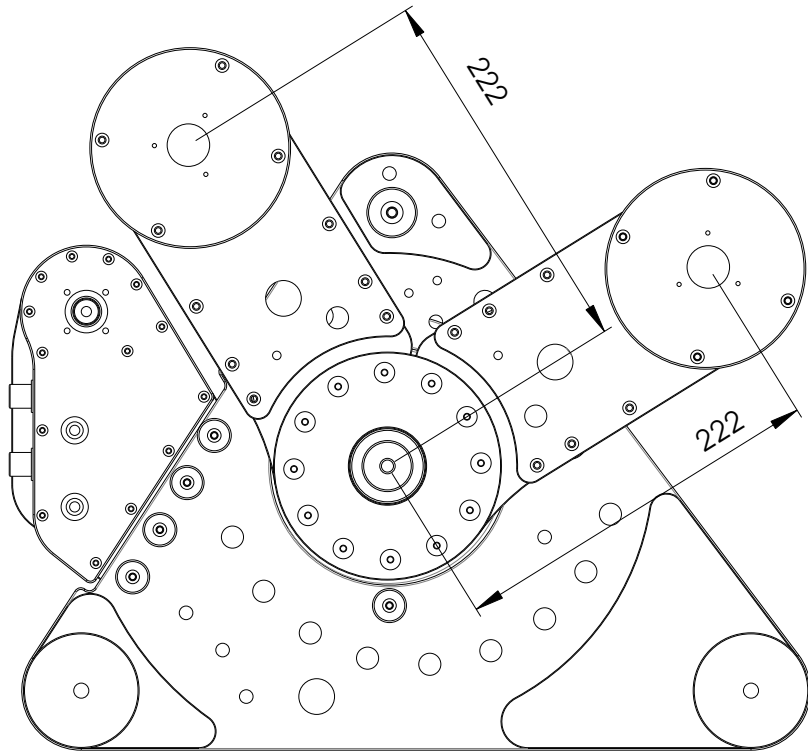
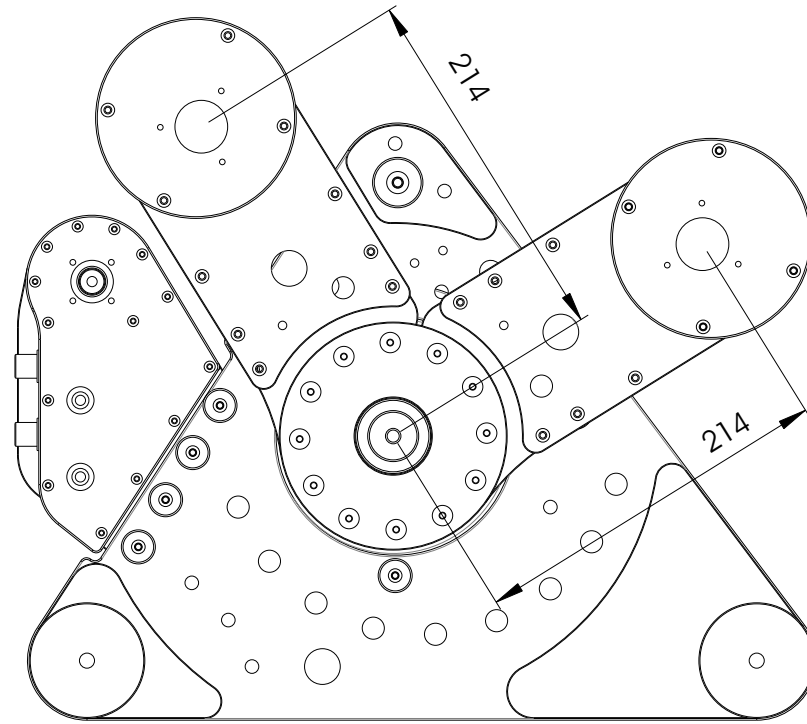


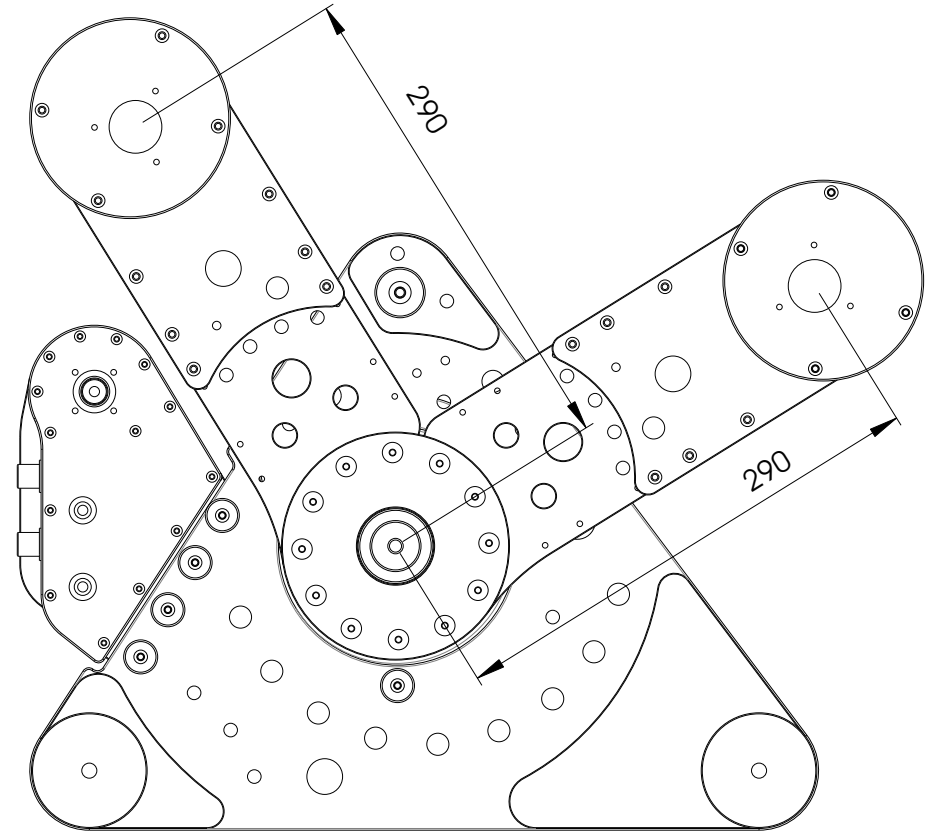
Rega  
- pivot to spindle distance 222mm



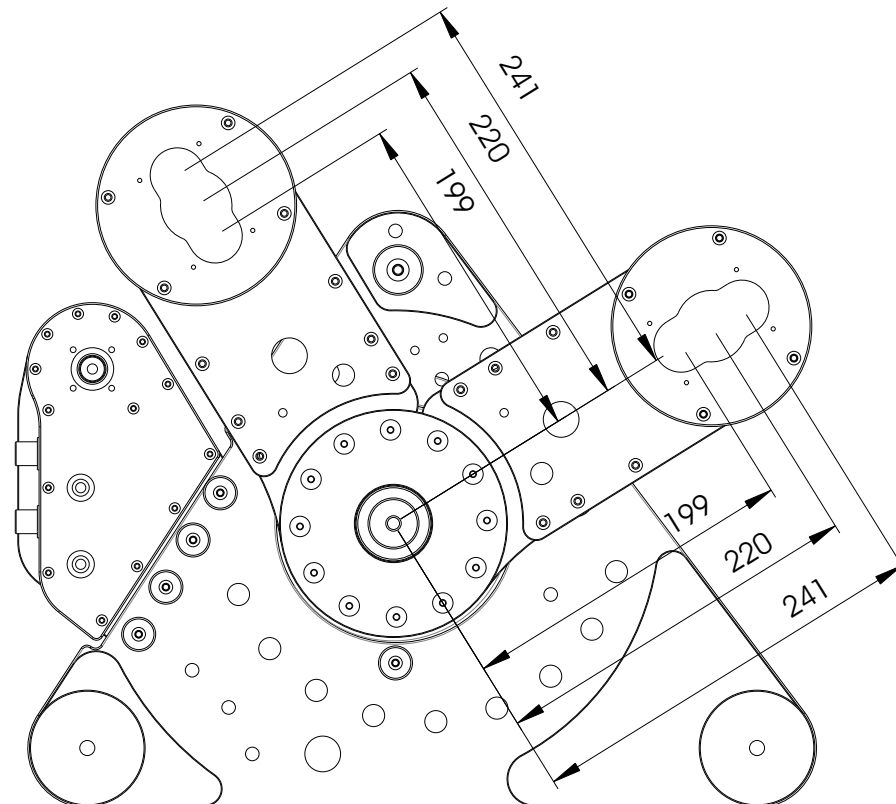
Jelco 9"  
- pivot to spindle distance 214mm



Jelco 12"  
- pivot to spindle distance 290mm



SME 9" and 10"  
- pivot to spindle distance 213.4mm and 222mm  
- adjustable distance from 200mm to 240mm



SME 12"  
- pivot to spindle distance 295.6mm  
- adjustable distance from 276mm to 316mm

